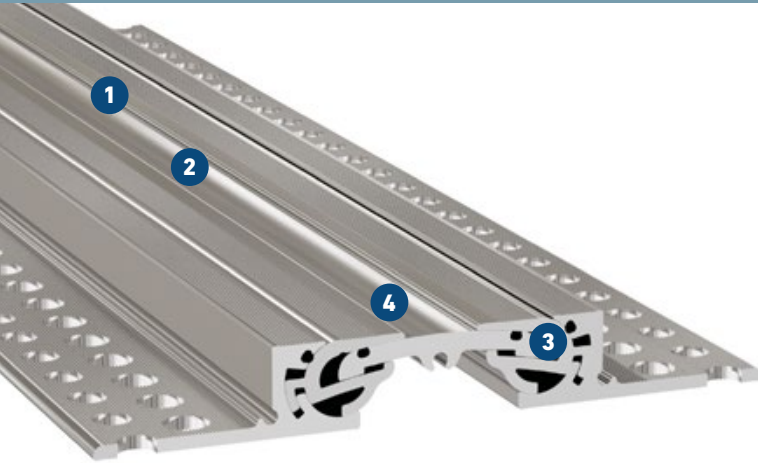


SFS 90 / 115 / 135

FOR HEAVY DUTY FLOORS

MIGUTRANS

HEAVY-DUTY ALL-METAL JOINT SOLUTIONS
FOR LARGE TRAFFIC LOADS



- 1 Improved transit over joints**
reduces wear on wheels
- 2 Symmetrical visible surface**
- 3 Super efficient design**
for smoother transit and even load distribution
- 4 Visible surface has no gaps**
avoids dirt accumulation, easy cleaning
- 5 Minimal vibration when trafficked**
more efficient and safer work environment

Now available Anodized!

This expansion joint cover is on offer in anodized colours as of now. Available as standard in the four colours shown below, we will be pleased to offer you further colours upon request.

Expansion joint cover	Joint width max.	Total movement	Visible width	Total width	Joint height	Load bearing capacity	Load bearing capacity	Load bearing capacity
	b_f [mm]	Δb_f [mm]	b_s [mm]	b_t [mm]	h [mm]	[kN]	[kN]	solid plastic tyres [kg/mm]
SFS 90/24	50	20 (±10)	90	183	24	300	69	6,5
SFS 90/30	50	20 (±10)	90	180	30	300	69	6,5
SFS 90/42	50	20 (±10)	90	180	42	300	69	6,5
SFS 90/50	50	20 (±10)	90	180	50	300	69	6,5
SFS 115/24	75	30 (±15)	115	208	24	300	69	6,5
SFS 115/30	75	30 (±15)	115	205	30	300	69	6,5
SFS 115/42	75	30 (±15)	115	205	42	300	69	6,5
SFS 115/50	75	30 (±15)	115	205	50	300	69	6,5
SFS 135/24	100	40 (±20)	135	228	24	300	46	6,5
SFS 135/30	100	40 (±20)	135	225	30	300	46	6,5
SFS 135/42	100	40 (±20)	135	225	42	300	46	6,5
SFS 135/50	100	40 (±20)	135	225	50	300	46	6,5

Production length: 4 m

Standard colour: Aluminium, SFS 90 also available anodised.

Larger installation heights on request.

Applicable for anodized expansion joint covers:

By anodizing the surface is hardened, but scratches can not be ruled out under mechanical stress of the profiles. Slight color and / or gloss

deviations between different batches or deliveries do not constitute a reason for complaint. The processing is carried out in accordance with DIN 17611 and the Qualanod (Quality Label for Sulphuric Acid-Based Anodizing of Aluminium) regulations for the anodization of aluminum. The expansion joint covers must be cleaned and maintained in accordance with the specifications of the Qualanod and the leaflet A5 of the aluminum center. We are happy to advise you.

Standard colors based on EURAS color fans:

- C 0 Nature
- C 31 Light
- C 32 Light bronze

Other colors on request.

