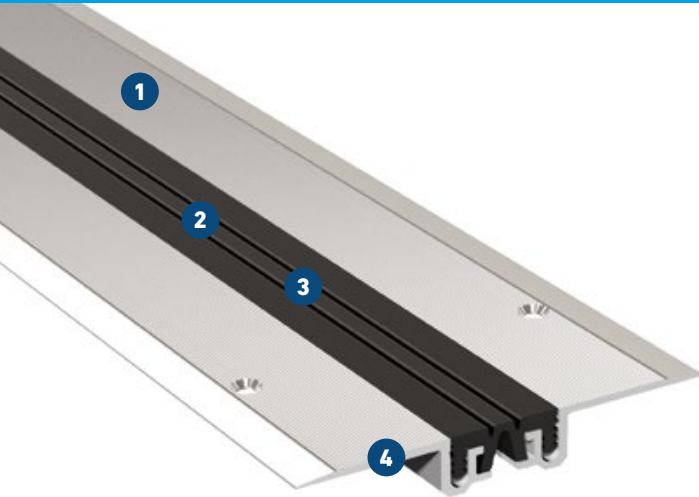


# FN 35


FOR FLOORS – SURFACE FIXING

# MIGUTEC

JOINT COVERS FOR EXPANSION JOINTS



- 1 Anti slip surface ensures good skid resistance**  
Special striated surface, also suitable for sports areas
- 2 Flexible high quality elastomeric insert**  
Hard wearing, temperature resistant (-30°C to +120°C)
- 3 Economical**  
Insert replaceable at any time
- 4 Very flat design**  
Perfect for surface fixing

Expansion joint cover	Total movement $\Delta b_f$ [mm]	Total width $b_t$ [mm]	Joint width required $b_f \text{ min}$ [mm]	Width of insert $b_s$ [mm]	Installation height $h$ [mm]	Thickness of alu side plates [mm]	Load bearing capacity* 
FN 35	10 ( $\pm 5$ )	112	35	30	13	2	pedestrians

\* Light vehicles on request.

**Production length:** 4 m

**Standard colours:** black, grey, beige

**Wall connections:** E3, E4

