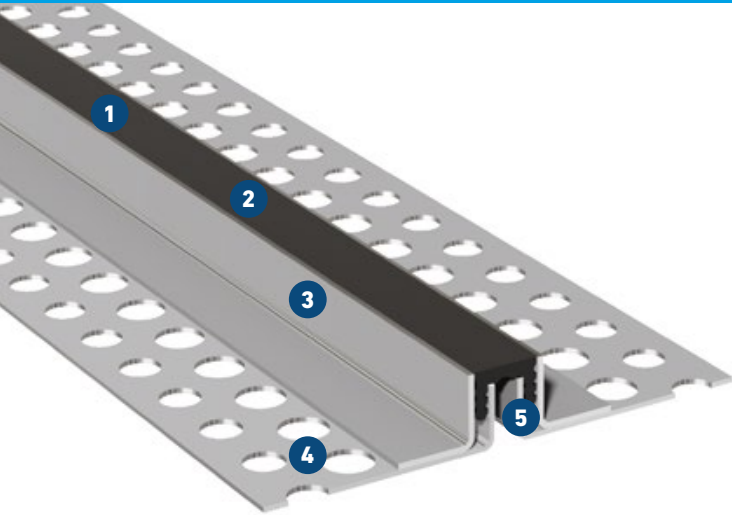


# ESG 20

FOR FLOORS WITH HYGIENIC REQUIREMENTS, RESISTANT TO AGGRESSIVE FLUIDS

# MIGUTEK

JOINT COVERS FOR EXPANSION JOINTS



- 1 Flexible high quality elastomeric insert**  
Hard wearing, temperature resistant (-30°C to +120°C), replaceable
- 2 Smooth visible surface for easy cleaning**  
Antibacterial and physiologically safe
- 3 Solid stainless steel brackets**  
Resistant to aggressive media (e.g. sea water)
- 4 Secure fixing with MultiHole mounting bracket**  
Firm bond and extraordinary gripping strength
- 5 Multi directional movement**  
Expansion joint cover takes on settling

Expansion joint cover	Joint width	Total movement	Visible width	Total width	Joint height	Load bearing capacity*	Load bearing capacity*
	$b_f \text{ max}$ [mm]	$\Delta b_f$ [mm]	$b_s$ [mm]	$b_t$ [mm]	$h$ [mm]	[kN]	[kN]
ESG 20/20	20	2 ( $\pm 1$ )	20	126	20	30	30
ESG 20/35	20	2 ( $\pm 1$ )	20	95	35	30	30
ESG 20/40	20	2 ( $\pm 1$ )	20	95	40	30	30
ESG 20/50	20	2 ( $\pm 1$ )	20	95	50	30	30

\* no continuous use

All info on load capacities apply to doweled, not to floating installation.  
Larger installation heights on request.

**Material:** 1.4301 (alloy 304)

**Production length:** 3 m (ESG 20/20: 2 m)

**Standard colours:** black, grey

**Stainless steel:** mill finish

**Wall connections:** E3, E4

