


- 1 Solid all-metal expansion joint cover**
Maintenance-free, hard wearing and long-lasting, no non-shrink seal required
- 2 Vertical side walls**
No diagonal cutting of stoneware necessary.
- 3 Multi-dimensional movement capability**
- 4 Connection pins**
Ensure even installation with respect to both, height and width

Striated Surface

Higher Safety by means of improved skid resistance

Easy to install

Optimized design allows for easy and safe installation of the centring bar

Expansion joint cover	Joint width max. b_f max [mm]	Total movement thermal Δb_f [mm]	Total movement seismic Δb_f [mm]	Visible width * b_s [mm]	Width infill b [mm]	Width total b_t [mm]	Installation height h [mm]	Height infill max. h_i [mm]	Load bearing capacity 
SPJ 100	100	40 (±20)	185 (+150/-35)	65	280	470	60	30	Pedestrians
SPJ 150	150	40 (±20)	235 (+150/-85)	65	330	520	60	30	Pedestrians
SPJ 200	200	40 (±20)	285 (+150/-135)	65	380	570	60	30	Pedestrians
SPJ 300	300	40 (±20)	385 (+150/-235)	65	480	670	60	30	Pedestrians
SPJ 400	400	40 (±20)	535 (+200/-335)	65	580	770	60	30	Pedestrians
SPJ 500	500	40 (±20)	685 (+250/-435)	65	740	930	60	30	Pedestrians

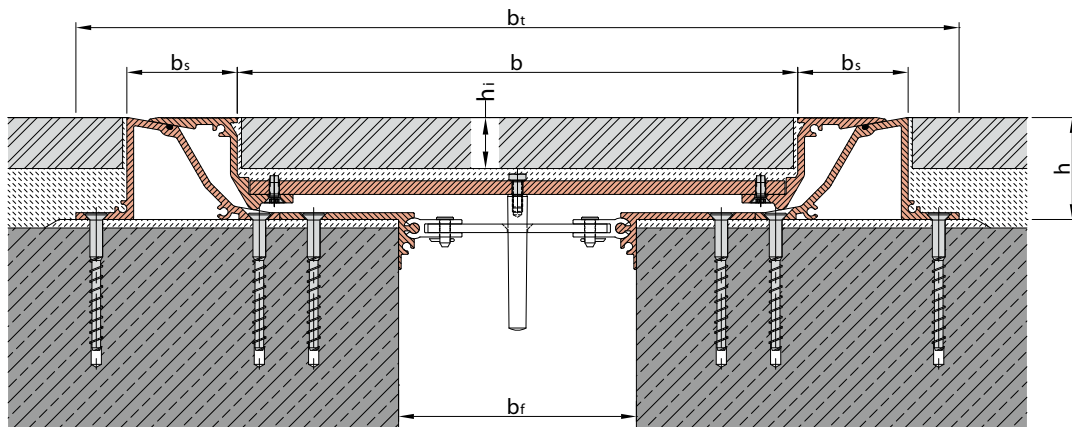
* each side

Joint width by the time of installation. Potential tolerance: ± 10 mm

Further joint widths available on demand.

Standard colour: Aluminium

Production length: 4 m



WALL CONNECTIONS CORNER VERSIONS



Solid all-metal expansion joint cover

Maintenance-free, hard wearing and long-lasting, no non-shrink seal required

Vertical side walls

No diagonal cutting of stoneware necessary.

Multi-dimensional movement capability

Connection pins


Ensure even installation with respect to both, height and width

Striated Surface

Higher Safety by means of improved skid resistance

Easy to install

Optimized design allows for easy and safe installation of the centring bar

Expansion joint cover	Joint width max. b_f max [mm]	Total movement thermal Δb_f [mm]	Total movement seismic Δb_f [mm]	Visible width b_s [mm]	Width infill b [mm]	Width total b_t [mm]	Installation height h [mm]	Height infill max. h_i [mm]	Load bearing capacity 
SPJ 100/E3	100	20 (± 10)	165 (+75/-90)	65	162	286	60	30	Pedestrians
SPJ 150/E3	150	20 (± 10)	215 (+75/-140)	65	212	336	60	30	Pedestrians
SPJ 200/E3	200	20 (± 10)	265 (+75/-190)	65	262	386	60	30	Pedestrians
SPJ 300/E3	300	20 (± 10)	365 (+75/-290)	65	362	486	60	30	Pedestrians
SPJ 400/E3	400	20 (± 10)	490 (+100/-390)	65	462	586	60	30	Pedestrians
SPJ 500/E3	500	20 (± 10)	615 (+125/-490)	65	592	716	60	30	Pedestrians

Joint width by the time of installation. Potential tolerance: ± 10 mm

Corner versions will be designed individually. Details submitted project-wise on request.

Further joint widths available on demand.

Standard colour: Aluminium

Production length: 4 m

